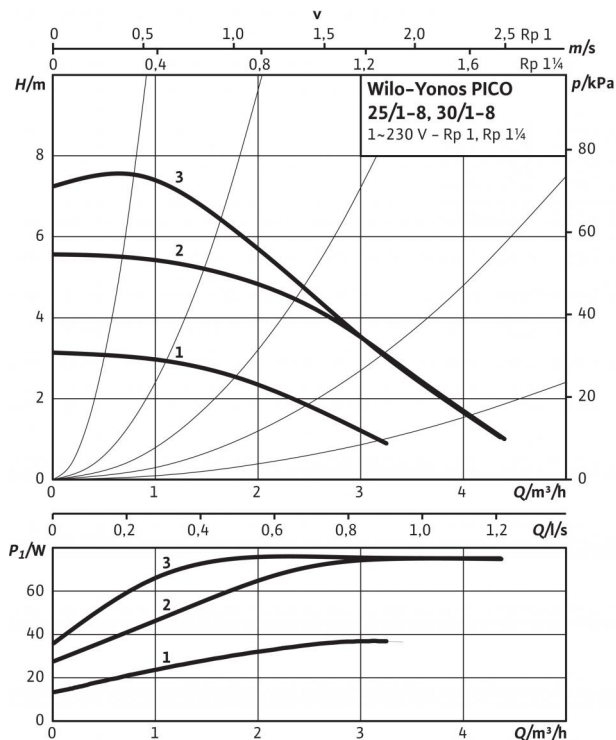
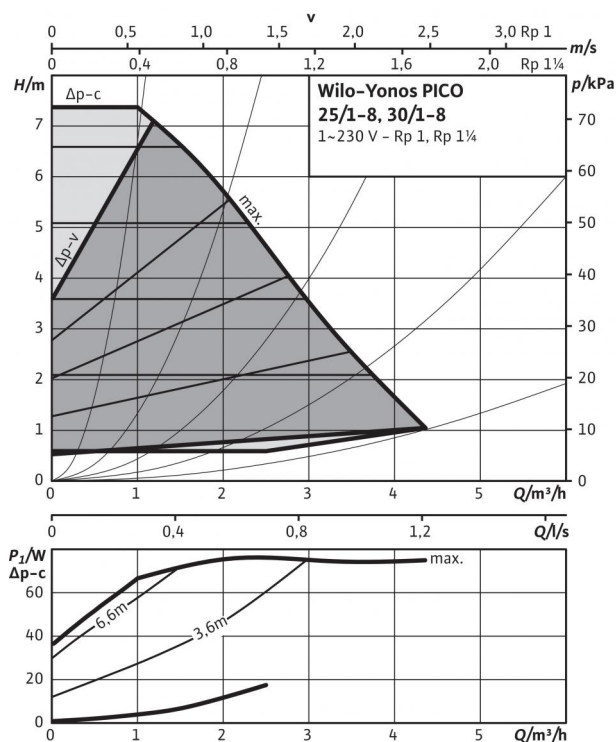


Data sheet: Yonos PICO 25/1-8

Pump curves Δp -c (constant)



Pump curves Δp -v (variable)



Approved fluids (other fluids on request)

Heating water (in accordance with VDI 2035)

Water-glycol mixtures (max. 1:1; above 20% admixture, the pumping data must be checked)

Permitted field of application

Temperature range at max. ambient temperature +25 °C

Temperature range at max. ambient temperature +40 °C

Maximum permissible operating pressure P_{max}

Pipe connections

Threaded pipe union

Nominal flange diameter

Thread

Overall length L_0

Motor/electronics

Energy efficiency index (EEI)

Electromagnetic compatibility

Emitted interference

Interference resistance

Speed control

Protection class

Insulation class

Mains connection

Speed n

Rated power P_2

Power consumption P_1

Current consumption I

Motor protection

Screwed cable connection connector

Materials

Pump housing

Impeller

Pump shaft

Bearing

Minimum suction head at suction port for avoiding cavitation at water pumping temperature

Minimum suction head at 50 / 95 / 110 °C

Information for order placements

Make

Type

Art no.

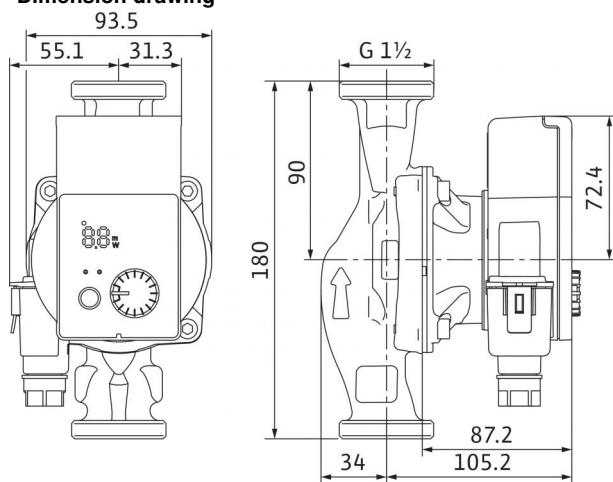
Weight approx. m

• = appropriate, - = not appropriate

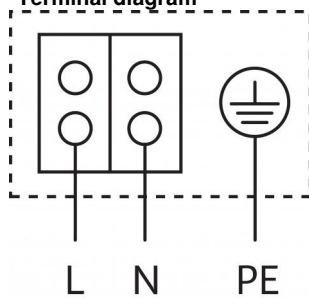
The benchmark for the most efficient circulators is $EEI \leq 0.20$.

Data sheet: Yonos PICO 25/1-8

Dimension drawing



Terminal diagram



Blocking current-proof motor
Single-phase motor (EM) 2-pole - 1~230 V, 50 Hz